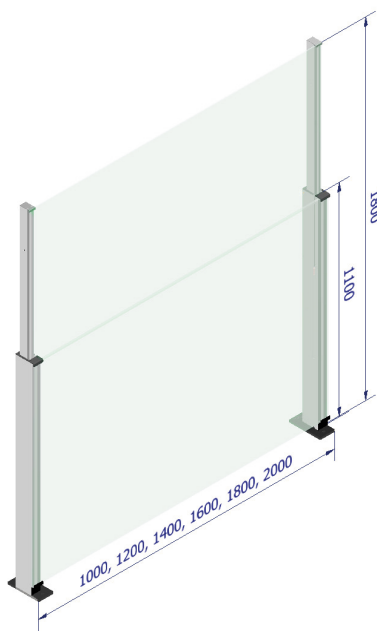
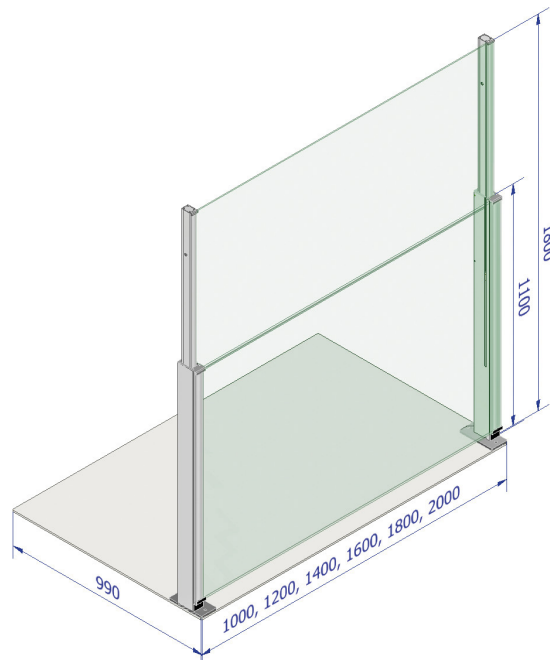




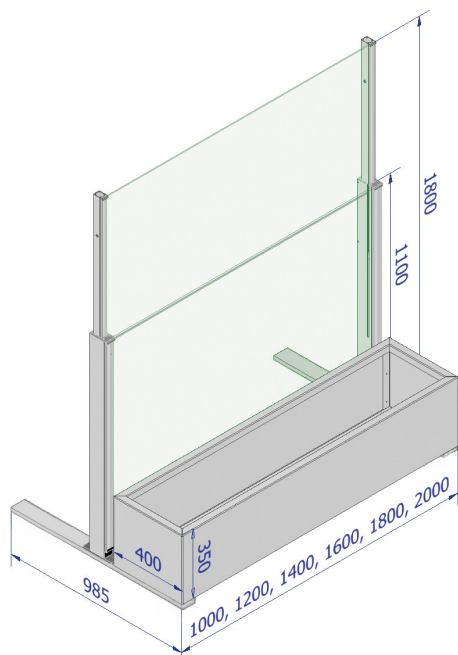
Wind Barrier



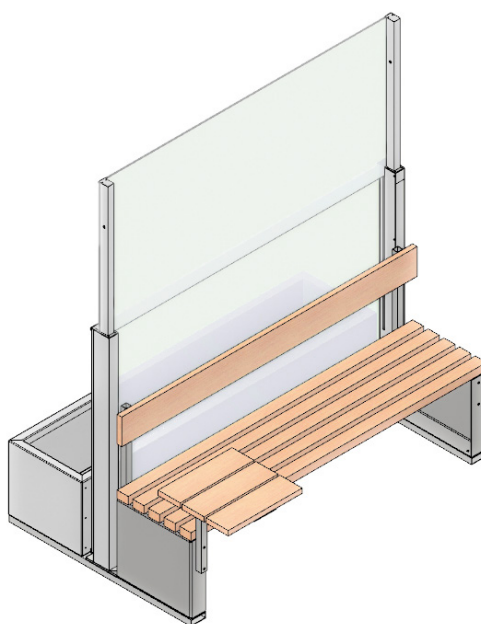
Wind Barrier



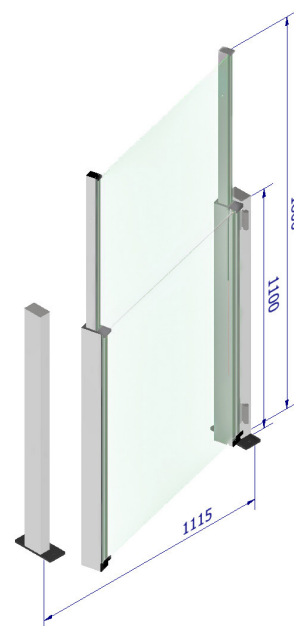
Wind Barrier
with steel base



Wind Barrier
with aluminium flowerpot



Wind Barrier with bench
and aluminium pot (table optional)



Wind Barrier
gate

	Wind Barrier	Wind Barrier with steel base	Wind Barrier with aluminium flowerpot	Wind Barrier with bench and aluminium pot (table optional)	Wind Barrier gate
Height [mm]	1100 / 1800				
Width [mm]	1000, 1200, 1400, 1600, 1800, 2000	1000, 1200, 1400, 1600, 1800, 2000	1000, 1200, 1400, 1600, 1800, 2000	1000, 1200, 1400, 1600, 1800, 2000	1115
Glass thickness [mm]	bottom 8, top 6	bottom 8, top 6	bottom 8, top 6	bottom 8, top 6	bottom 11,52, top 6

Type of glass:	toughened	toughened	toughened	toughened	bottom 55.4 ESG/VSG, top toughened
Frame type and colour	aluminium, black powder coated				
Permissible maximum wind speed [km/h]	120 km/h with open structure, 200 km/h with closed structure				

